

**Subject** FW: TRAFFIC MATTER IN HOLFORD  
**From** Peter Grandfield  
**To** <clerk@holford-pc.gov.uk>  
**Date** 06/02/2018 09:09 AM



- Holford sign and line proposals.docx (~6.0 MB)

As discussed.  
P.G.

---

**From:** County Roads - WestSom [mailto:countyroads-westsom@somerset.gov.uk]  
**Sent:** 23 May 2016 16:55  
**To:** peter  
**Subject:** TRAFFIC MATTER IN HOLFORD

Dear Peter

Thank you for your time in Holford recently to discuss HGV and other issues.

Please find attached some images to show what we discussed to resolve the issues we spoke about. I will wait to hear back from you before going ahead with any of these works and please let me know if I have omitted anything we discussed. The only sign I have not added is the one before the green triangle on the left where we have the proposed parking sign (on a new post) proposed to direct vehicles to the right. We did discuss a 'no through road' (ahead and to the left) type of sign here but there is no sign that shows the junction layout here that would be DFT compliant at this point.

I look forward to hearing from you in due course.

Regards

**Jo Sharp (Traffic Engineer)**  
Traffic and Transport Development  
Somerset County Council  
West Somerset Area Office  
Mart Road Industrial Estate  
MINEHEAD Somerset TA24 5BJ  
Tel: 0300 1232224  
Email: [countyroads-westsom@somerset.gov.uk](mailto:countyroads-westsom@somerset.gov.uk)  
Web: [www.somerset.gov.uk](http://www.somerset.gov.uk)

This email, and any attachments is intended solely for the individual to whom it is addressed. It may contain personal and / or commercially sensitive material and should be handled accordingly.

If this email carries a protective marking of Official – Personal Data, Official – Commercial or Official – Sensitive in the banner at the top of the email it should be handled according to the handling instructions included in the banner. If marked Official only no specific handling instructions apply.

If this Email has been misdirected, please notify the author immediately.

If you are not the intended recipient you must not disclose, distribute, copy, print or rely on any of the information contained in it or attached, and all copies must be deleted immediately.

Whilst we take reasonable steps to try to identify any software viruses, any attachments to this email may nevertheless contain viruses which our anti-virus software has failed to identify. You should therefore carry out your own anti-virus checks before opening any documents. Somerset County Council will not accept any liability for damage caused by computer viruses emanating from any attachment or other document supplied with this email. All GCSx traffic may be subject to recording and / or monitoring in accordance with relevant legislation.

We will hold and use your personal data in line with the Data Protection Act (1988). We will not give this information to any unauthorised person or body. However, we may use this information to help improve services, deal with complaints and comments, and prevent and detect fraud or crime.

-  
[Somerset County Council.](#)

**Subject** FW: TRAFFIC MATTER IN HOLFORD  
**From** Peter Grandfield  
**To** <clerk@holford-pc.gov.uk>  
**Date** 06/02/2018 09:13 AM



As discussed.

P.G.

---

**From:** County Roads - WestSom [mailto:countyroads-westsom@somerset.gov.uk]  
**Sent:** 20 June 2016 11:18  
**To:** peter  
**Subject:** TRAFFIC MATTER IN HOLFORD

Dear Peter

Thank you for your email.

I understand your concern at this point in Stowey Lane and would be happy to have the sign below erected on a new post in the left hand verge. It is not a true reflection of the carriageway ahead but it should serve the purpose!



I look forward to hearing from you after your meeting.

Regards

**Jo Sharp (Traffic Engineer)**  
Traffic and Transport Development  
Somerset County Council

West Somerset Area Office  
Mart Road Industrial Estate  
MINEHEAD Somerset TA24 5BJ  
Tel: 0300 1232224  
Email: [countyroads-westsom@somerset.gov.uk](mailto:countyroads-westsom@somerset.gov.uk)  
Web: [www.somerset.gov.uk](http://www.somerset.gov.uk)

This email, and any attachments is intended solely for the individual to whom it is addressed. It may contain personal and / or commercially sensitive material and should be handled accordingly.

If this email carries a protective marking of Official – Personal Data, Official – Commercial or Official – Sensitive in the banner at the top of the email it should be handled according to the handling instructions included in the banner. If marked Official only no specific handling instructions apply.

If this Email has been misdirected, please notify the author immediately.

If you are not the intended recipient you must not disclose, distribute, copy, print or rely on any of the information contained in it or attached, and all copies must be deleted immediately.

Whilst we take reasonable steps to try to identify any software viruses, any attachments to this email may nevertheless contain viruses which our anti -virus software has failed to identify. You should therefore carry out your own anti-virus checks before opening any documents. Somerset County Council will not accept any liability for damage caused by computer viruses emanating from any attachment or other document supplied with this email. All GCSx traffic may be subject to recording and / or monitoring in accordance with relevant legislation.

We will hold and use your personal data in line with the Data Protection Act (1988). We will not give this information to any unauthorised person or body. However, we may use this information to help improve services, deal with complaints and comments, and prevent and detect fraud or crime.

.  
[Somerset County Council.](#)





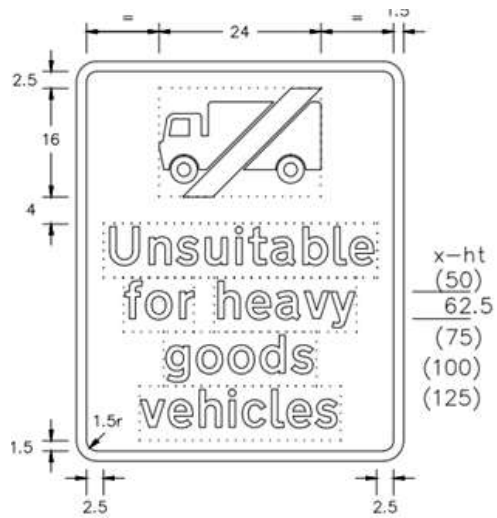








SIGN S1



Sign S2

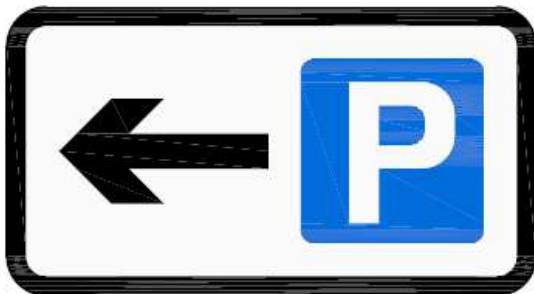




Sign S3



Sign S4



Sign S5